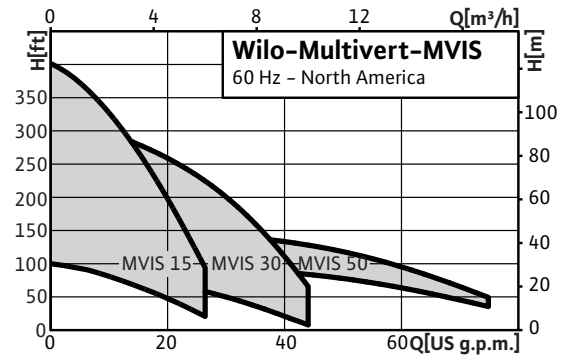


# High pressure centrifugal pumps

Wilo-Multivert MVIS (North America)



## Series description



### Pump series

Wilo-Multivert MVIS 15..., 30..., 50..

### Design

Non-self priming multistage pump with wet-rotor motor

### Applications

- Water supply and pressure boosting systems

### Equipment and function

- In-line stainless steel construction
- Low-noise (up to 20 dB [A] quieter than conventional pumps)
- All parts that have contact with the fluid are corrosion-resistant
- Wet rotor seal-less pump technology

### Technical data

- Power supply 3 ~ 208 V / 60 Hz, 230V / 60 Hz, 460 V / 60 Hz or 575 V, 60Hz;  $\pm 10\%$
- Liquid temperature range 14 °F (-10 °C) to 122 °F (+50 °C)
- Maximum ambient temperature 104 °F (40 °C) max
- Maximum suction pressure 140 PSI
- Minimum geometric head (storage tank) 3 ft (1 m)
- Maximum pump casing pressure 230 PSI
- Motor protection class NEMA 2
- Insulation class H

### Materials

- Impellers and stage chambers stainless steel AISI 304 (1.4301)
- Pump housing stainless steel AISI 304 (1.4301)
- Shaft in stainless steel X39 CrMo 17.1 (1.4122)
- Seal EPDM (EP 851)
- Housing bottom stainless steel AISI 304 (1.4301)
- Pressure jacket stainless steel AISI 304 (1.4301)
- Bearing carbon synthetic resin-impregnated
- Pump foot cast iron EN-GJL-250

# High pressure centrifugal pumps

Wilo-Multivert MVIS (North America)

## Equipment / Function

	Wilo-Multivert		
	MVIS 15	MVIS 30	MVIS 50
<b>Hydraulic data</b>			
Inline stainless steel pump		•	
All wetted parts 304 stainless steel		•	
Pump base in cast iron		•	
2 Bolt oval type - companion flange threaded NPT		•	
<b>Motor</b>			
Three phase (208-230, 460, 575 V)		•	
Single phase (115, 230 V)		—	
<b>Equipment /scope of delivery</b>			
2 bolt oval companion flange	NPT 1"	NPT 1 ¼"	NPT 1 ½"
Bolts and Gaskets	M10	M10	M12
Installation and operating instructions		•	

• = available, — = not available

### Variants overview Wilo-Multivert MVIS

Wilo-Multivert MVIS	
<b>Material</b>	
Parts in contact with the fluid medium in 1.4301 (AISI 304)	•
<b>Seals</b>	
EPDM	•
Viton	–
<b>Hydraulic connection</b>	
Oval flange	•
Round flange	–
<b>Motor versions</b>	
Individual motors	–
1 – 115 V, 60 Hz	–
1 – 230 V, 60 Hz	–
3 – 208 V, 60 Hz	•
3 – 230 V, 60 Hz	•
3 – 460 V, 60 Hz	•
3 – 575 V, 60 Hz	•
Ex-protected motors	–
Motors with resistors (PTC)	–
Motors with UL certification	•
Motors with CSA certification	•
Thermal motor protection (WSK)	•
Speed controllable via remote frequency converter	•
Integrated frequency converter	–

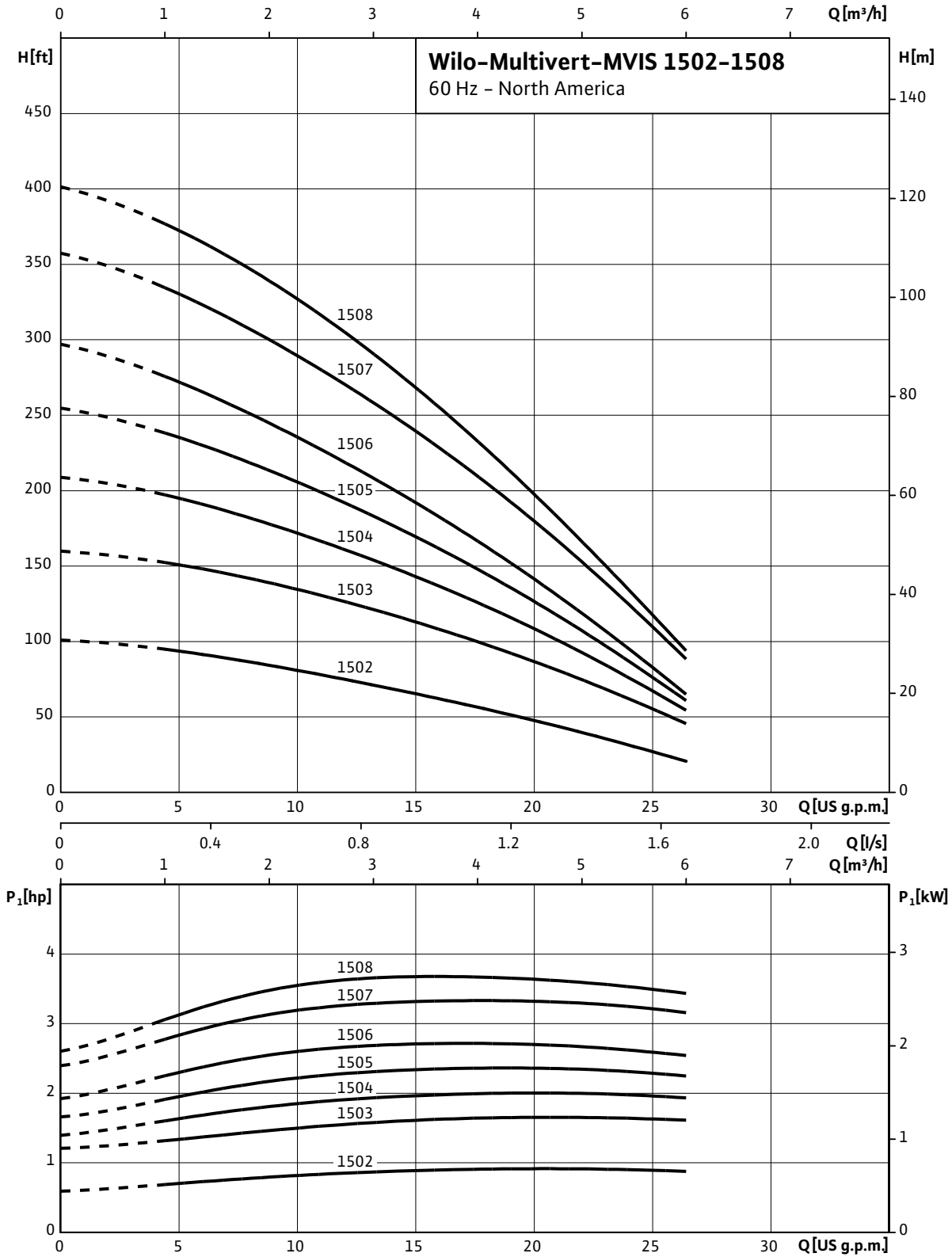
• = available, – = not available

# High pressure centrifugal pumps

Wilco-Multivert MVIS (North America)

## Pump curves Wilco-Multivert MVIS

Wilco-Multivert MVIS 15...



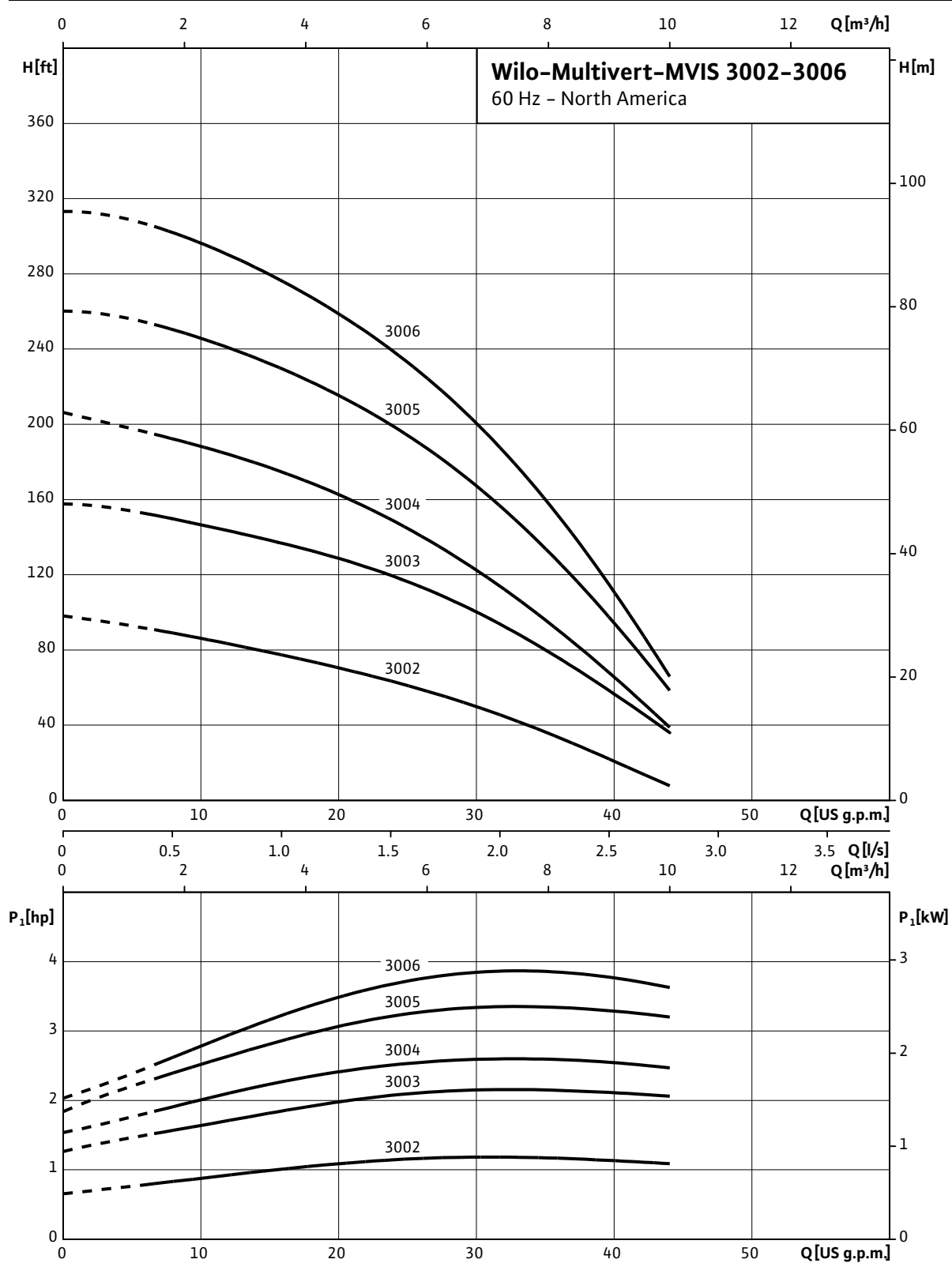
# High pressure centrifugal pumps

Wilo-Multivert MVIS (North America)



## Pump curves Wilo-Multivert MVIS

Wilo-Multivert MVIS 30...

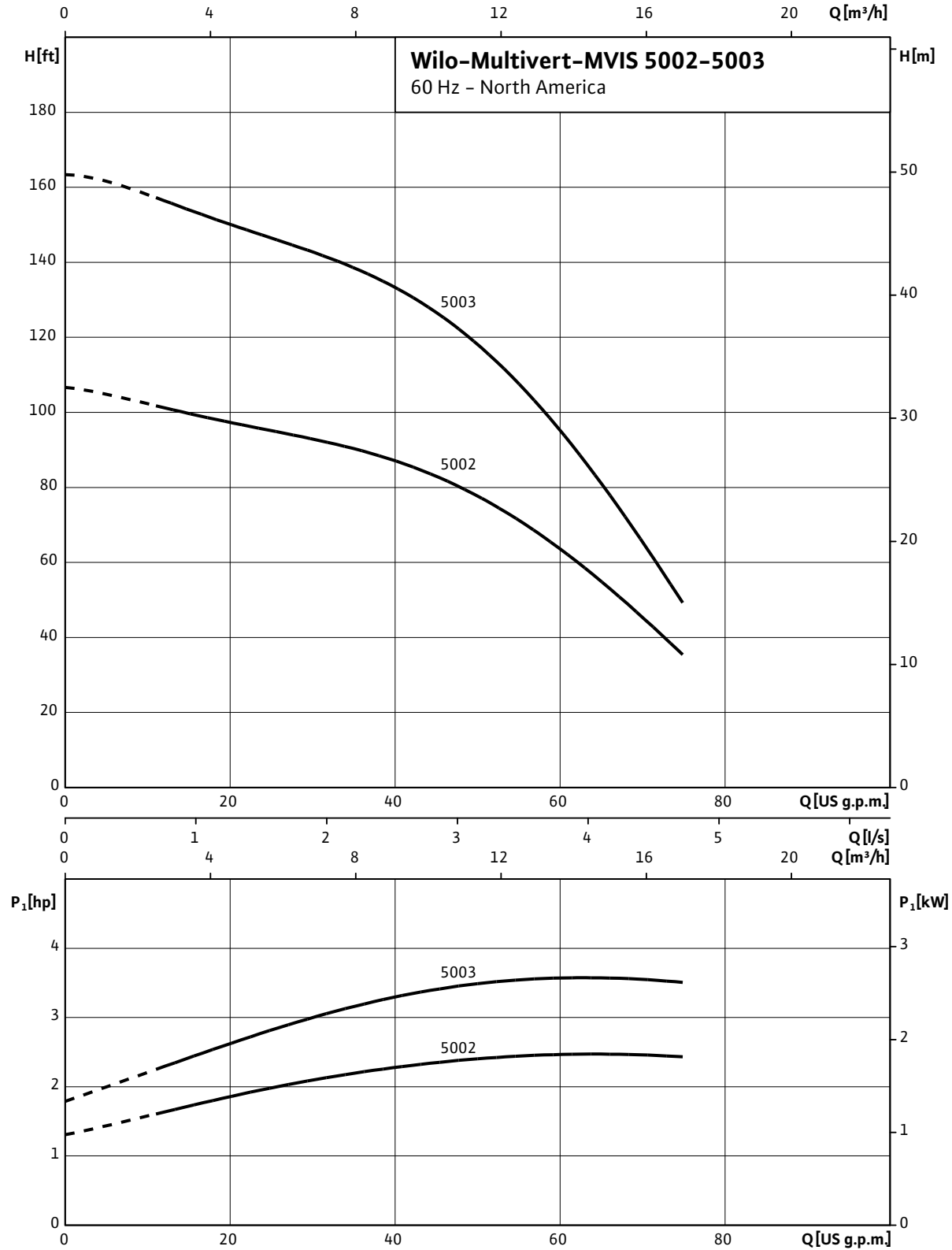


# High pressure centrifugal pumps

Wilco-Multivert MVIS (North America)

## Pump curves Wilco-Multivert MVIS

Wilco-Multivert MVIS 50...



# High pressure centrifugal pumps

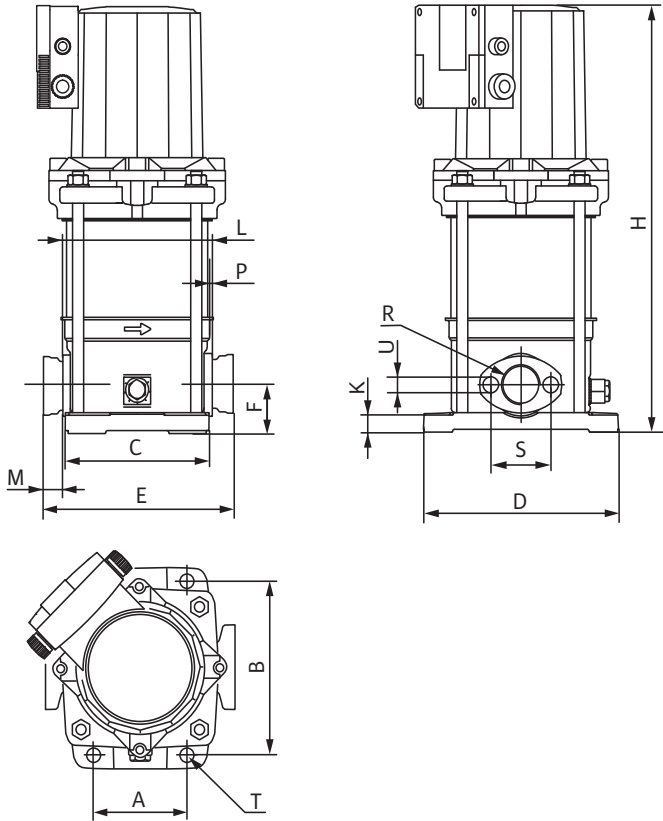
Wilo-Multivert MVIS (North America)



## Dimension drawing Wilo-Multivert MVIS

### Dimension drawings

Wilo-Multivert MVIS 15..., 30..., 50...



# High pressure centrifugal pumps

Wilco-Multivert MVIS (North America)

## Dimensions, Weights Wilo-Multivert MVIS

### Dimensions, weights

Wilo- ...	Dimensions														Weight	
	A	B	C	D	E	F	H	K	L	M	P	R	S	T	-	
	[mm]														[kg]	[lbs]
MVIS15-02	100	180	15.7	212	204	50	378	20	160	20	2	NPT 1"	75	12	16	35.3
MVIS15-03	100	180	15.7	212	204	50	378	20	160	20	2	NPT 1"	75	12	17	37.5
MVIS15-04	100	180	15.7	212	204	50	402	20	160	20	2	NPT 1"	75	12	17.5	38.6
MVIS15-05	100	180	15.7	212	204	50	446	20	160	20	2	NPT 1"	75	12	22.5	49.6
MVIS15-06	100	180	15.7	212	204	50	470	20	160	20	2	NPT 1"	75	12	23	50.7
MVIS15-07	100	180	15.7	212	204	50	494	20	160	20	2	NPT 1"	75	12	23.5	51.8
MVIS15-08	100	180	15.7	212	204	50	518	20	160	20	2	NPT 1"	75	12	24	52.9
MVIS30-02	100	180	15.7	212	204	50	378	20	160	20	2	NPT 1¼"	75	12	16.5	36.4
MVIS30-03	100	180	15.7	212	204	50	398	20	160	20	2	NPT 1¼"	75	12	21.5	47.4
MVIS30-04	100	180	15.7	212	204	50	422	20	160	20	2	NPT 1¼"	75	12	22	48.5
MVIS30-05	100	180	15.7	212	204	50	446	20	160	20	2	NPT 1¼"	75	12	22.5	49.6
MVIS30-06	100	180	15.7	212	204	50	470	20	160	20	2	NPT 1¼"	75	12	23	50.7
MVIS50-02	130	215	18.7	252	250	80	425	20	200	25	4	NPT 1½"	100	12	25	55.1
MVIS50-03	130	215	18.7	252	250	80	455	20	200	25	4	NPT 1½"	100	12	25.5	56.2

### Dimensions, weights

Wilo- ...	Dimensions														Weight	
	A	B	C	D	E	F	H	K	L	M	P	R	S	T	-	
	[inch]														[kg]	[lbs]
MVIS15-02	3 15/16	7 1/16	6 1/4	8 1/2	8	1 15/16	14 7/8	13/16	6 5/16	13/16	1/16	NPT 1"	2 15/16	1/2	16	35.3
MVIS15-03	3 15/16	7 1/16	6 1/4	8 1/2	8	1 15/16	14 7/8	13/16	6 5/16	13/16	1/16	NPT 1"	2 15/16	1/2	17	37.5
MVIS15-04	3 15/16	7 1/16	6 1/4	8 1/2	8	1 15/16	15 13/16	13/16	6 5/16	13/16	1/16	NPT 1"	2 15/16	1/2	17.5	38.6
MVIS15-05	3 15/16	7 1/16	6 1/4	8 1/2	8	1 15/16	17 9/16	13/16	6 5/16	13/16	1/16	NPT 1"	2 15/16	1/2	22.5	49.6
MVIS15-06	3 15/16	7 1/16	6 1/4	8 1/2	8	1 15/16	18 1/2	13/16	6 5/16	13/16	1/16	NPT 1"	2 15/16	1/2	23	50.7
MVIS15-07	3 15/16	7 1/16	6 1/4	8 1/2	8	1 15/16	19 7/16	13/16	6 5/16	13/16	1/16	NPT 1"	2 15/16	1/2	23.5	51.8
MVIS15-08	3 15/16	7 1/16	6 1/4	8 1/2	8	1 15/16	20 3/8	13/16	6 5/16	13/16	1/16	NPT 1"	2 15/16	1/2	24	52.9
MVIS30-02	3 15/16	7 1/16	6 1/4	8 1/2	8	1 15/16	14 7/8	13/16	6 5/16	13/16	1/16	NPT 1¼"	2 15/16	1/2	16.5	36.4
MVIS30-03	3 15/16	7 1/16	6 1/4	8 1/2	8	1 15/16	15 11/16	13/16	6 5/16	13/16	1/16	NPT 1¼"	2 15/16	1/2	21.5	47.4
MVIS30-04	3 15/16	7 1/16	6 1/4	8 1/2	8	1 15/16	16 5/8	13/16	6 5/16	13/16	1/16	NPT 1¼"	2 15/16	1/2	22	48.5
MVIS30-05	3 15/16	7 1/16	6 1/4	8 1/2	8	1 15/16	17 9/16	13/16	6 5/16	13/16	1/16	NPT 1¼"	2 15/16	1/2	22.5	49.6
MVIS30-06	3 15/16	7 1/16	6 1/4	8 1/2	8	1 15/16	18 1/2	13/16	6 5/16	13/16	1/16	NPT 1¼"	2 15/16	1/2	23	50.7
MVIS50-02	5 1/8	8 1/2	7 1/2	10	9 13/16	3 1/8	16 3/4	13/16	7 7/8	13/16	3/16	NPT 1½"	3 15/16	1/2	25	55.1
MVIS50-03	5 1/8	8 1/2	7 1/2	10	9 13/16	3 1/8	17 15/16	13/16	7 7/8	13/16	3/16	NPT 1½"	3 15/16	1/2	25.5	56.2

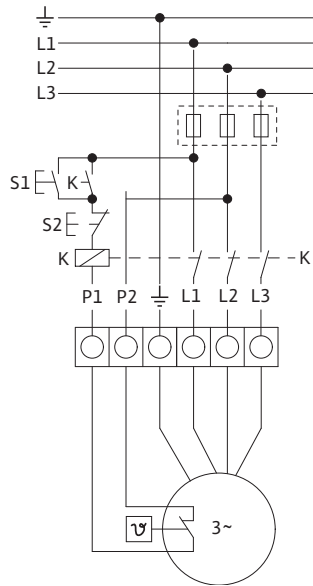
# High pressure centrifugal pumps

Wilo-Multivert MVIS (North America)



## Wiring Diagram, Motor Data Wilo-Multivert MVIS

### Wiring diagram



### Motor data

Wilo- ...	P1		Phase	Current A (C)	Voltage V (A)
	[HP]	[W]	-	I	U
			[~]	[A]	[V]
MVIS15-02	0,9	690	3	2.4	208/230V
MVIS15-03	1,7	1240	3	4.8	208/230V
MVIS15-04	2,0	1500	3	5.2	208/230V
MVIS15-05	2,4	1770	3	6	208/230V
MVIS15-06	2,7	2030	3	6.5	208/230V
MVIS15-07	3,3	2490	3	7.7	208/230V
MVIS15-08	3,7	2750	3	8.3	208/230V
MVIS30-02	1,2	890	3	2.9	208/230V
MVIS30-03	2,2	1610	3	5.4	208/230V
MVIS30-04	2,6	1940	3	6.3	208/230V
MVIS30-05	3,4	2500	3	7.7	208/230V
MVIS30-06	3,9	2880	3	8.6	208/230V
MVIS50-02	2,5	1850	3	6.1	208/230V
MVIS50-03	3,6	2670	3	8.2	208/230V
MVIS15-02	0,9	690	3	1.2	460V
MVIS15-03	1,7	1240	3	2.4	460V
MVIS15-04	2,0	1500	3	2.6	460V
MVIS15-05	2,4	1770	3	3	460V
MVIS15-06	2,7	2030	3	3.2	460V
MVIS15-07	3,4	2500	3	3.9	460V
MVIS15-08	3,7	2750	3	4.2	460V

# High pressure centrifugal pumps

Wilco-Multivert MVIS (North America)

## Wiring Diagram, Motor Data Wilco-Multivert MVIS

### Motor data

Wilco- ...	P1		Phase	Current A (C)	Voltage V (A)
			–	I	U
	[HP]	[W]	[~]	[A]	[V]
MVIS30-02	1,2	890	3	1.5	460V
MVIS30-03	2,2	1610	3	2.7	460V
MVIS30-04	2,6	1940	3	3.1	460V
MVIS30-05	3,4	2500	3	3.9	460V
MVIS30-06	3,9	2880	3	4.3	460V
MVIS50-02	2,5	1850	3	3.1	460V
MVIS50-03	3,6	2670	3	4.1	460V
MVIS15-02	0,9	690	3	1	575V
MVIS15-03	1,7	1240	3	1.9	575V
MVIS15-04	2,0	1500	3	2.1	575V
MVIS15-05	2,4	1770	3	2.4	575V
MVIS15-06	2,7	2030	3	2.6	575V
MVIS15-07	3,4	2500	3	3.1	575V
MVIS15-08	3,7	2750	3	3.4	575V
MVIS30-02	1,2	890	3	1.2	575V
MVIS30-03	2,2	1610	3	2.2	575V
MVIS30-04	2,6	1940	3	2.5	575V
MVIS30-05	3,4	2500	3	3.1	575V
MVIS30-06	3,9	2880	3	3.5	575V
MVIS50-02	2,5	1850	3	2.5	575V
MVIS50-03	3,6	2670	3	3.3	575V